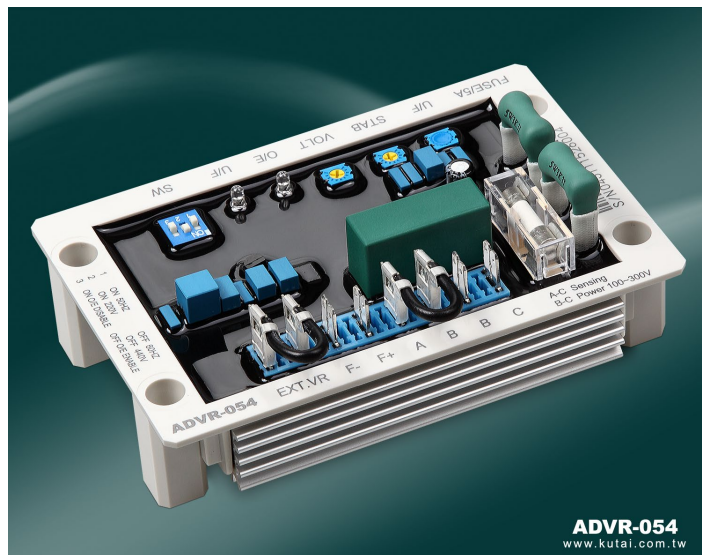


ADVR-054

Self Excited Automatic Voltage Regulator 5Amp

Features

- Compact size, robust and high reliability
- Innovative heat sink significantly increases cooling efficiency
- 220/380/440/480 Vac selectable input
- Soft start voltage ramping
- Over excitation protection
- Digital low frequency protection circuit, prevents thermal drift
- EMI suppression
- Automatic shut off output when voltage sensing is lost
- Built-in high capacity fuse
- Use with KUTAI [EP200](#) Paralleling Module for parallel operation

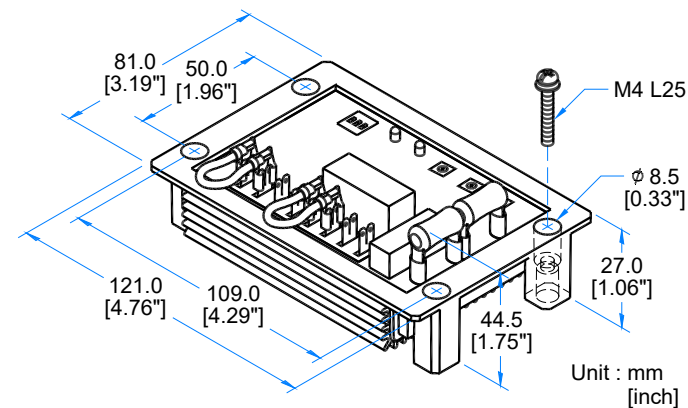


ADVR-054
www.kutai.com.tw

Specifications

Sensing Input	Voltage 170 to 260 Vac @ 220 Vac 1 phase 2 wire	External Volts Adjustment	Max +/-3.5% with 1 K Ω 1 watt trimmer
(Average Reading)	Voltage 340 to 520 Vac @ 440 Vac 1 phase 2 wire	Static Power Dissipation	Max. 8 watts
	220/440 Vac (DIP switch setting)	Soft Start Ramp Time	3 seconds +/-10%
	Frequency 50/60 Hz (DIP switch setting)	EMI Suppression	Internal electromagnetic interference filtering
Power Input	Voltage 100 to 300 Vac 1 phase 2 wire	Voltage Thermal Drift	Less than 3% at -40 to +70 °C
Excitation Output	63 Vdc @ 220 Vac power input, single phase	Under Frequency Protection (Factory Knee Point Setting)	
	continuous 5A Max. 90 Vdc 7A for 10 seconds		50 Hz system knee point at 45 Hz
Excitation Resistance	Min. 15 Ω Max. 100 Ω		60 Hz system knee point at 55 Hz
Volts Regulation	Less than +/-0.5% (with 4% engine governing)	Under Frequency Knee Point Thermal Drift	
Build Up Voltage	Residual volts at power input terminal > 5 Vac 25 Hz		Less than +/-0.1 Hz at -40 to +70 °C
Over Excitation Protection			
	78 Vdc +/-6% @ 220 Vac Time delay 5 seconds		
	Function can be turn off		

Dimensions



Environment

Operating Temperature	-40 to +60 °C
Storage Temperature	-40 to +85 °C
Relative Humidity	Max. 95%
Vibration	5.0 Gs @ 60 Hz

Physical Specifications

Dimensions	121.0 (L) x 81.0 (W) x 44.5 (H) mm
	4.76 (L) x 3.19 (W) x 1.75 (H) inch
Weight	270 g +/-2%
	0.6 lb +/-2%

Accessories

EB500	Automatic Flashing Unit for Generator
EP200	Reactive Factor Compose Module (Droop Module)