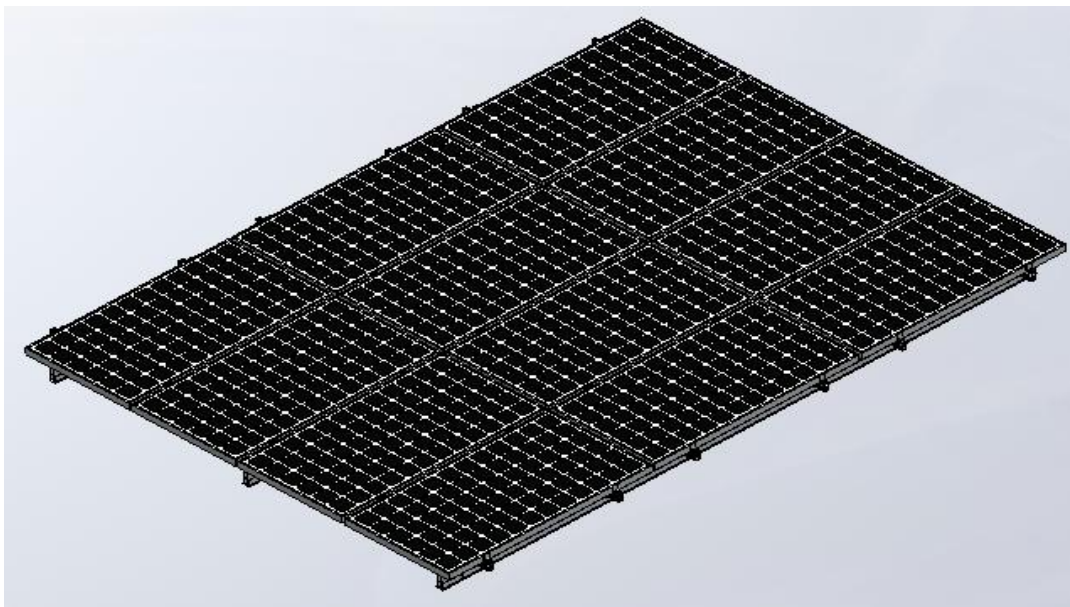
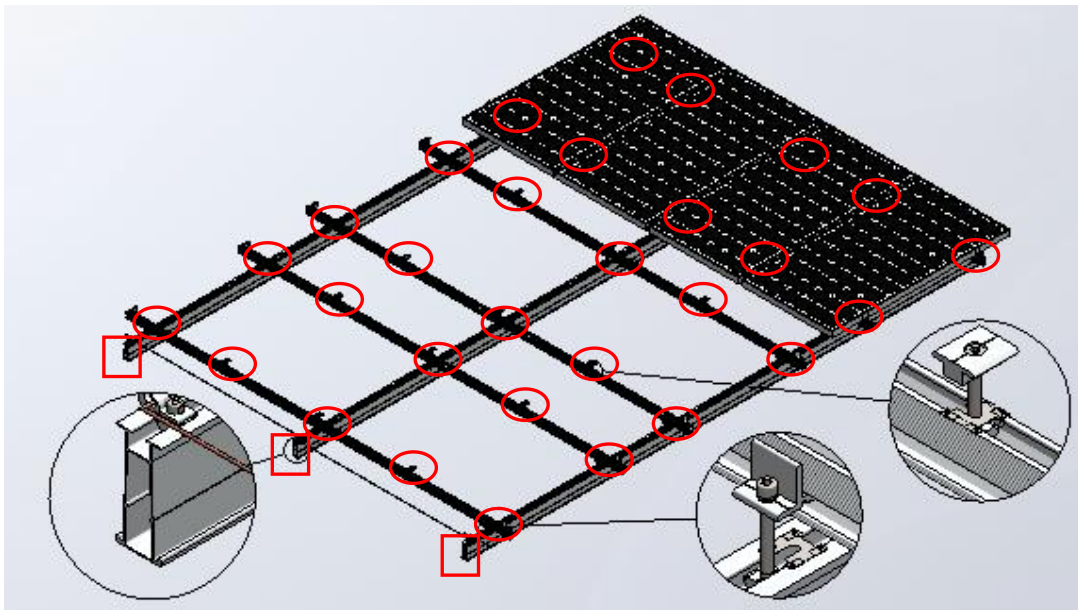




## GS Grounding System Installation

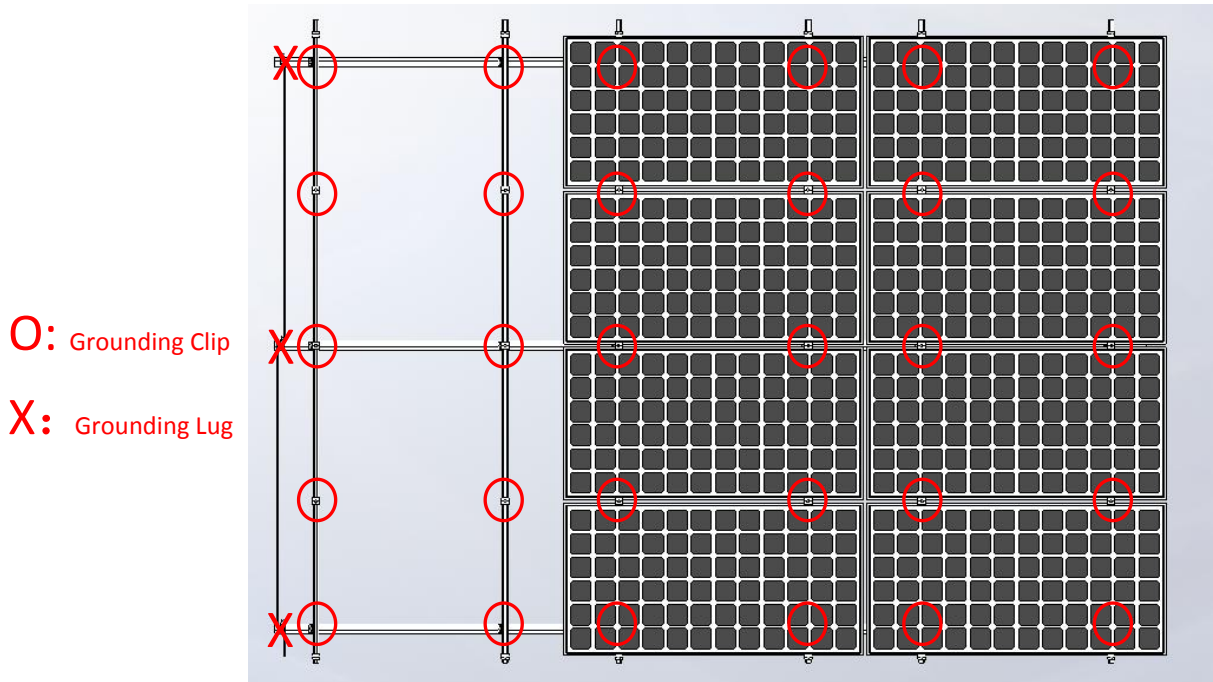
### ➤ System Overview

Grace Solar grounding system has the special solution to lead the electron accumulated in the module to the ground. The ground clips with special ribs is installed between two panels and lead the electron from modules to the rail. Then the ground lugs connect the rails to the ground by the copper wire. It will be a cycle to keep the PV array safe.





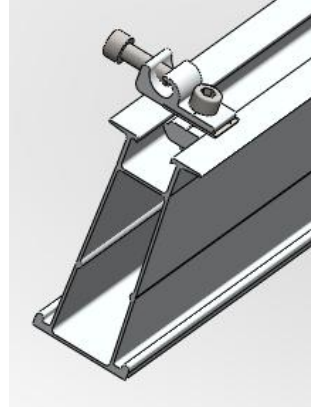
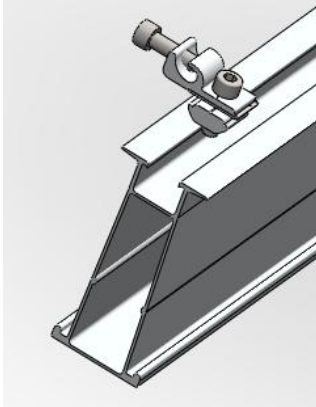
## ➤ Planning



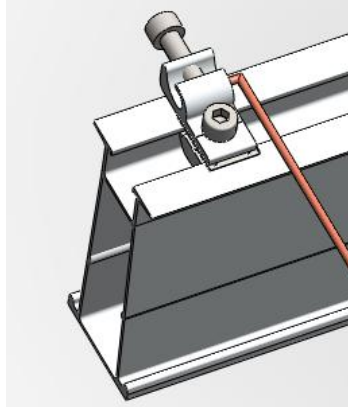
The above is the single grounding wire for entire array. Please family with the install position of the parts on the PV system.

## ➤ Install Step

### ***Install the Ground Lug***



1. Put the Ground Lug into the planning position of the top channel of Rail

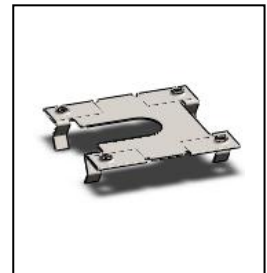
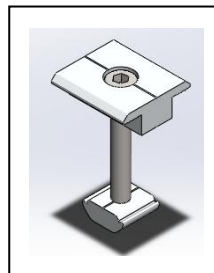
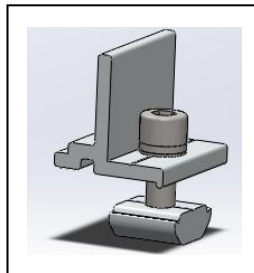
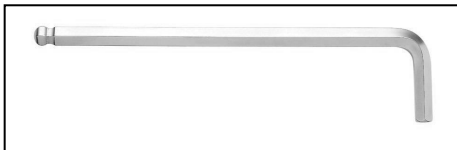


2. Insert the copper wire into the open of the Ground lug. And fasten the side bolt M6 to fix the wire.



3. Comply with the Step 2 to install the wire into the other Ground Lug.

### ***Install the Ground Clip***



1. Prepare the tool and the parts

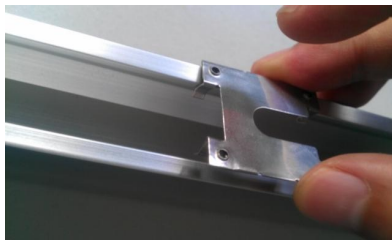
Tool: Allen key 6mm

Parts :GD rail Clamp kit,Inter Clamp Kit and Ground Clip



# Xiamen Grace Solar New Energy Technology Co.,Ltd

Http://www.gracesolar.com Email: info@gracesolar.com  
Tel: 86 592 3671183 Fax: 86 592 5732132.



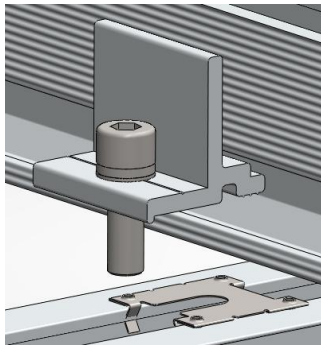
Tilt in



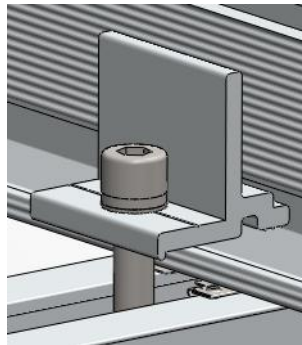
press



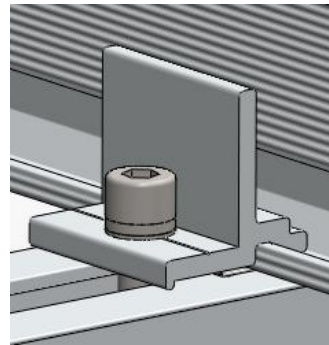
move



Uplift



down

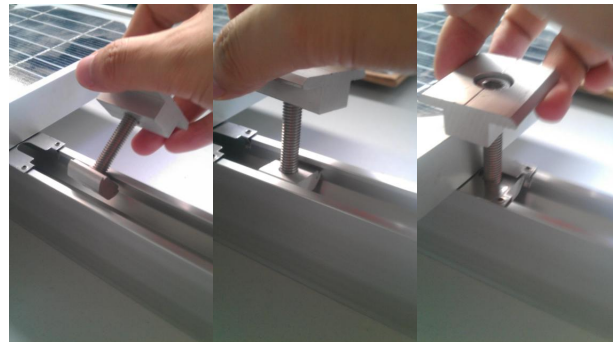


install GD rail Clamp



Uplift

down



install inter clamp

2. Insert the open of the Ground Clip into the bolt of the GD rail Clamp and Inter clamp. Adjust and press the Clip to fit with the Module.



3. Put the other panels into the other side of the inter clamp. On the right position, fasten the bolt by Allen Key