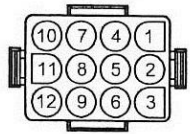


PIN NO.	DESCRIPTION
CN1-1	Normal power L1 voltage output
CN1-2	Normal power L3 voltage output
CN1-3	Normal power L2 voltage output
CN1-4	Emergency ON motor AC power input
CN1-5	Normal ON signal output
CN1-6	Normal ON motor AC power input
CN1-7	Normal ON motor AC power input
CN1-8	Emergency ON signal output
CN1-9	Emergency ON motor AC power input
CN1-10	Emergency power L2 voltage output
CN1-11	Emergency power L3 voltage output
CN1-12	Emergency power L1 voltage output



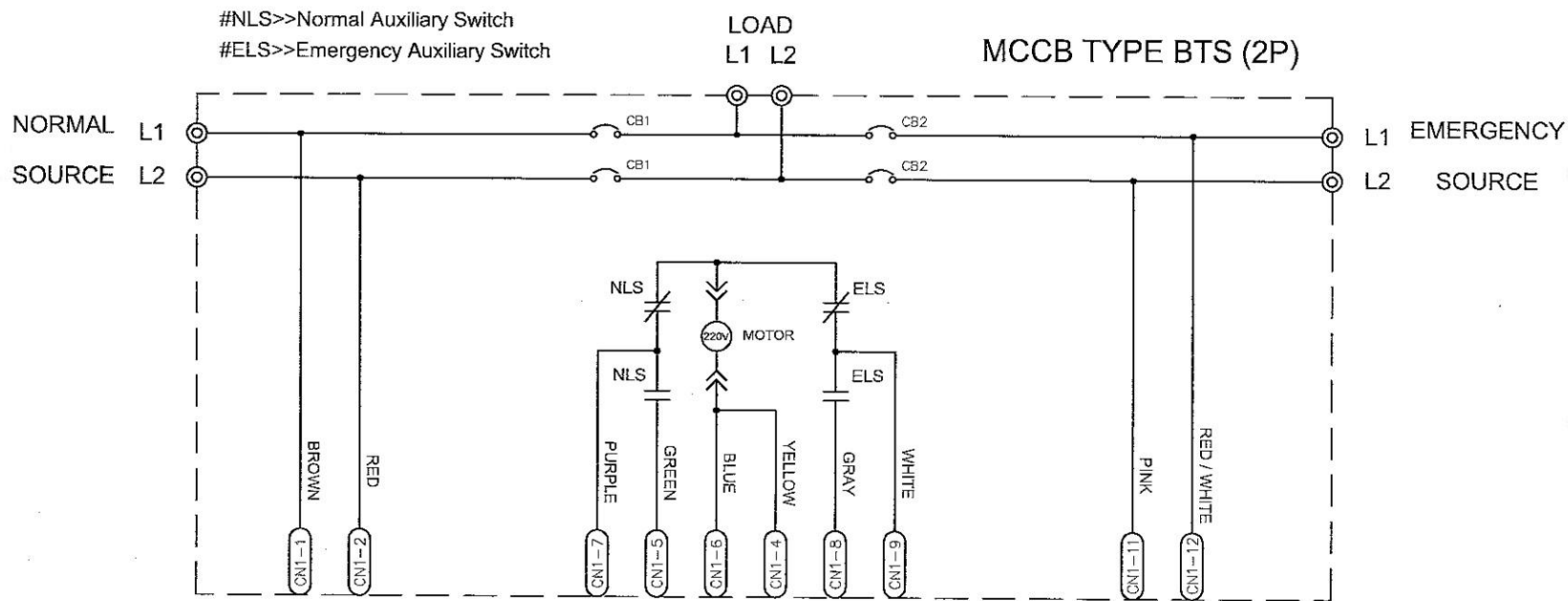
12P AMP Housing



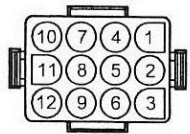
KUTAI ELECTRONICS INDUSTRY CO., LTD.

KUTAI MCCB Type Transfer Switch (3/4 Poles) wiring diagram

DRAWING NO. WD-00583



PIN NO.	DESCRIPTION
CN1-1	Normal power L1 voltage output
CN1-2	Normal power L2 voltage output
CN1-3	
CN1-4	Emergency ON motor AC power input
CN1-5	Normal ON signal output
CN1-6	Normal ON motor AC power input
CN1-7	Normal ON motor AC power input
CN1-8	Emergency ON signal output
CN1-9	Emergency ON motor AC power input
CN1-10	
CN1-11	Emergency power L2 voltage output
CN1-12	Emergency power L1 voltage output



12P AMP Housing



KUTAI ELECTRONICS INDUSTRY CO., LTD.

KUTAI MCCB Type Transfer Switch (2 Poles) wiring diagram

DRAWING NO. WD-00584