

# IVT-1260 IVT-2460

## Generator Auxiliary Excitation Booster (Patent Pending)

Converts DC battery power into AC power source for use by the AVR to boost motor starting capacity in shunt generators

### Features

- Exceeds normal generator motor starting capabilities
- Applicable for generator no-load excitation voltage between 20 to 50 Vdc
- Provides the load response benefits of a PMG
- Easy to install and maintenance free
- Compact size & high efficiency
- Battery voltage abnormal protection
- Battery input reverse polarity protection
- Battery current limit protection
- Power output self-test
- Built-in DC bolt-on fuse
- Very low power consumption in hibernate mode
- Lower cost than PMG kit



**IVT-1260  
IVT-2460**  
www.kutai.com.tw

### Applicable AVR Models

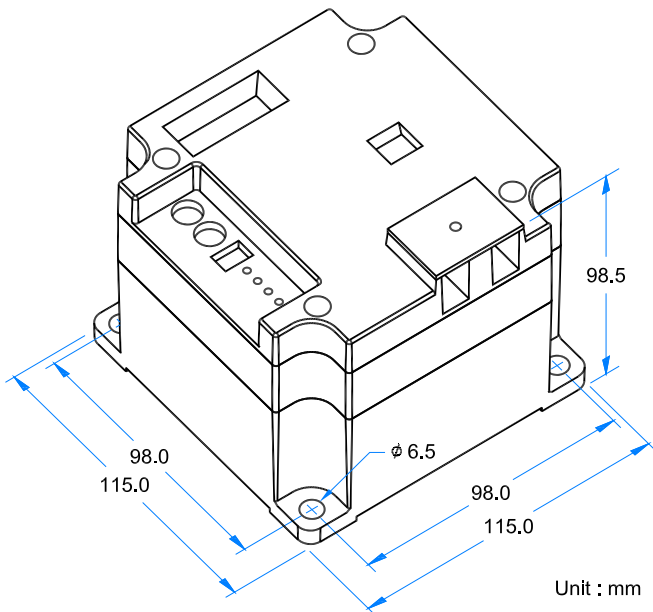
<b>KUTAI</b>	EA08A, EA448, ADVR-12, ADVR-2200M, ADVR-08	<b>Caterpillar</b>	VR6
<b>Basler</b>	AVC63-12, AVC125-10		

\* Suitable for full wave AVR equipped with Auxiliary power input. (More models adding continuously)

### Specifications

<b>Sensing Input</b>	Voltage 80 to 600 Vac 1 phase	<b>Typical System Response</b>	10 ms
	Frequency 50/60 Hz	<b>Static Power Consumption</b>	Less than 1 watt (hibernate < 0.5 watt)
<b>Power Input</b>	IVT-1260 12 Vdc / 60A Battery	<b>Efficiency</b>	Greater than 90% @ Full load
	IVT-2460 24 Vdc / 30A Battery	<b>Input Current Limited</b>	IVT-1260 @ 60A IVT-2460 @ 30A
<b>Output</b>	Voltage 180 Vac	<b>Battery Voltage Range</b>	IVT-1260 @ 8 to 18 Vdc IVT-2460 @ 16 to 36 Vdc
	Max. Output 500 VA		
	Frequency 400/480 Hz		

### Dimensions



### LED Indicators

<b>Output</b> LED	Boost Power ON
<b>Ready</b> LED	Ready for output
<b>Test</b> LED	Self-Test in progress
<b>Batt-Volt</b> LED	Battery voltage abnormal
<b>OVLD</b> LED	Overload

### Adjustments

<b>Droop %</b>	Level of sensitivity set on the trigger (5% to 14%)
<b>Time ON</b>	Power output activation time (15s to 60s)

### Environment

<b>Operating Temperature</b>	-40 to +60 °C
<b>Storage Temperature</b>	-40 to +85 °C
<b>Relative Humidity</b>	Max. 95%
<b>Vibration</b>	3.0 Gs @ 100 to 2K Hz

### Physical Specifications

<b>Dimensions</b>	115.0 (L) x 115.0 (W) x 98.5 (H) mm
<b>Weight</b>	2400 g +/-2%

