

# EA07

## Self Excited Half Wave Rectified Type Automatic Voltage Regulator

Suitable for Single or Three Phase Self Excited Brushless Generator

Maximum Output 6A

Compatible with Mecc Alte Spa AVR model SR7-1 and SR7-2

### Features

- Wide sensing voltage range 80 to 350 Vac
- Wide power input range 80 to 270 Vac, accepts power input from main winding or auxiliary winding
- Under frequency protection indication LED
- Over excitation protection and indication LED
- EMI suppression

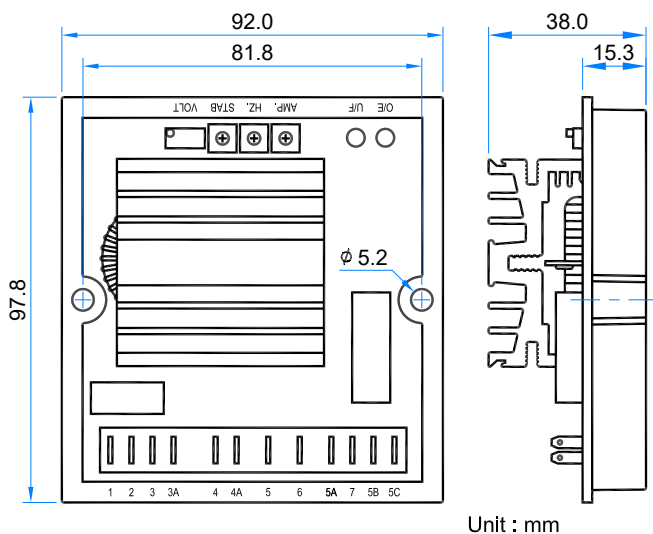


EA07  
www.kutai.com.tw

### Specifications

<b>Sensing Input</b>	Voltage	80 to 350 Vac	1 phase	50/60 Hz	<b>Voltage Regulation</b>	Less than +/-1% (with 4% engine governing)
<b>Power Input</b>	Voltage	80 to 270 Vac	1 phase	50/60 Hz	<b>Build Up Voltage</b>	5Vac 25Hz residual volts at power input terminal
<b>Excitation Output</b>	Voltage	Max. 63 Vdc @ power input 220 Vac			<b>EMI Suppression</b>	Internal electromagnetic interference filtering
	Current	Continuous 6A			<b>Static Power Dissipation</b>	Max. 5 watts
						Intermittent 7A for 10 seconds
<b>Exciter Winding Resistance</b>	DC Resistance	10 to 100 ohms			<b>Over Excitation Protection</b>	40 to Max. Vdc @ 0.3 to 20 seconds
<b>External Volts ADJ</b>	Max. +/-7% @ 100K ohms	1/2 watt potentiometer			<b>Under Frequency Protection</b>	Adjustable range 42 to 60 Hz
					<b>Voltage Thermal Drift</b>	Less than 3% at -40 to +70 °C

### Dimensions



Unit : mm

### AVR Control Functions

<b>VOLT</b>	Voltage adjustment
<b>STAB</b>	Stability adjustment
<b>HZ.</b>	Under frequency setting
<b>AMP.</b>	Over excitation setting
<b>O/E</b>	Under frequency protection
<b>U/F</b>	Over excitation indication LED

### Environment

<b>Operating Temperature</b>	-40 to +60 °C
<b>Storage Temperature</b>	-40 to +80 °C
<b>Relative Humidity</b>	Max. 95%
<b>Vibration</b>	1.5 Gs @ 5 to 30 Hz
	5.0 Gs @ 30 to 500 Hz

### Physical Specifications

<b>Dimensions</b>	97.8 (L) x 92.0 (W) x 38.0 (H) mm
<b>Weight</b>	275 g +/-2%

\*All manufacturer names and numbers are used for reference purpose only and do not imply that any part is the product of these manufacturer.



**KUTAI ELECTRONICS INDUSTRY CO., LTD.**  
 TEL : +886-7-8121771 FAX : +886-7-8121775 Website : [www.kutai.com.tw](http://www.kutai.com.tw)  
 Headquarters : No.3, Ln. 201, Qianfu St., Qianzhen Dist., Kaohsiung City 80664, Taiwan

