

ATS2PC0125-11

ATS2PC0125-22

Double Throw Type ATS

Rated Current 125Amp Rated Voltage 250Vac

Features

- Modular design for installation next to switch or on the door
- Electrically or manually operated, mechanically held contacts
- Adjustable time delay in neutral position
- Compact size with user-friendly status LED display
- Monitor Normal & Standby source OV and UV
- Built-in 1 to 4 weeks with / without load exerciser
- Made with UL 94V-0 plastic
- Build-in neutral lug module
- Designed for telecom industry or home ATS applications



ATS2PC0125-11
ATS2PC0125-22
www.kutai.com.tw

* Link to [ATS2PC0125-2](#). Standard model with opening on door panel fitted with TC-V2 digital controller.

TS2P125 Switch Specifications

Rated Voltage	250 Vac
Rated Current	125 Amp
Rated Frequency	50/60 Hz
Switch Type	Double throw with Neutral position
Operating Current	3.0A @ 220V 6.0A @ 110V
Poles	2 Poles
Rated Short-Time Current	3.0 KA / 1 second @ 250 Vac
Short Circuit Peak Value	7.5 KA
Utilization Category	AC-33A*
Operation Life	Over 6000 times / with load
Rated Operating Voltage	TCS2P125-11 90 to 140 Vac TCS2P125-22 180 to 270 Vac
ATS Class	PC

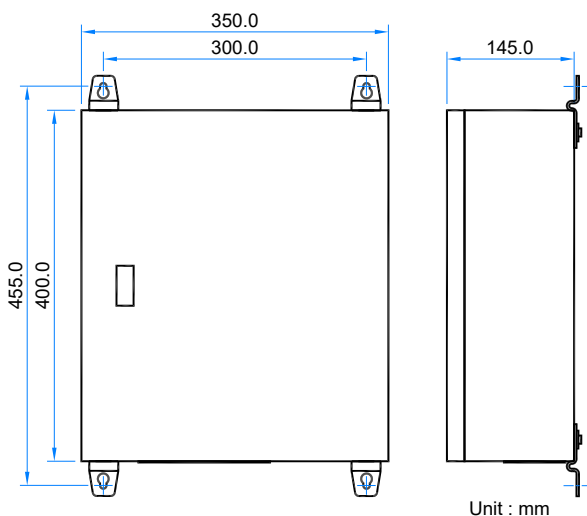
TC-V2 Digital Controller Specifications

Over Volt Setting	110 to 280 Vac (adjustable)
Over Volt Reset	Below 10 Vac of the OV setting
Under Volt Setting	80 to 230 Vac (adjustable)
Under Volt Reset	Exceed 10 Vac of the UV setting
Adjustable Time Delay	TDEN 0 to 99 seconds TDNE 0 to 99 seconds TDEC 0 to 99 seconds TDES 0 to 30 seconds TDOFF 1 to 20 seconds
Normal ON Capacity	7A @ 250 Vac Max.
Standby ON Capacity	7A @ 250 Vac Max.
Remote Start Capacity	6A @ 277 Vac 6A @ 28 Vdc Max.
Power Consumption	Less than 1W

* IEC60947-6 Utilization Category AC-33A:

- Frequent operations.
- Motor loads or mixed loads including motors, resistive loads and up to 30% incandescent lamp.

Dimensions



Unit : mm

Environment

Operating Temperature	-20 to +60 °C
Storage Temperature	-20 to +80 °C
Relative Humidity	Max. 95%

Physical Specifications

Dimensions	455.0 (H) x 350.0 (W) x 145.0 (D) mm
Weight	9.0 Kg +/-2%

